

**Bushing Data:**

Rated Voltage	362	kV
Phase to-earth Voltage	220	kV
Dry Lightning Impulse I, 2/50µs	1050	kV
Wet Switching Impulse	750	kV
Wet Power frequency AC	480	kV
Routine test Imin dry 50Hz	505	kV
Rated Current	5000	A
Creepage Distance	7205	mm
Mass	845	kg

**Ordering Data:**

**BUSHING** COLOUR AIR INSULATOR  
 LF121063 -E / -AE BROWN / LIGHT GREY

**OUTER TERMINAL**

LF170 073-A Al	H2 (mm)	D2 (mm)
LF170 073-B Cu	125	60
LF170 073-G Cu/Ag	125	60
OTHER TYPES ON REQUEST	125	60

**END-SHIELD**

LF170 046-U EPOXY INSULATED  
 LF170 046-UP INSULATED WITH 3 mm PRESSBOARD

**DRAW ROD SYSTEM**

LF170 059 LOWER DRAW ROD WITH NI=4 OR NI=6  
 LF170 057 UPPER DRAW ROD

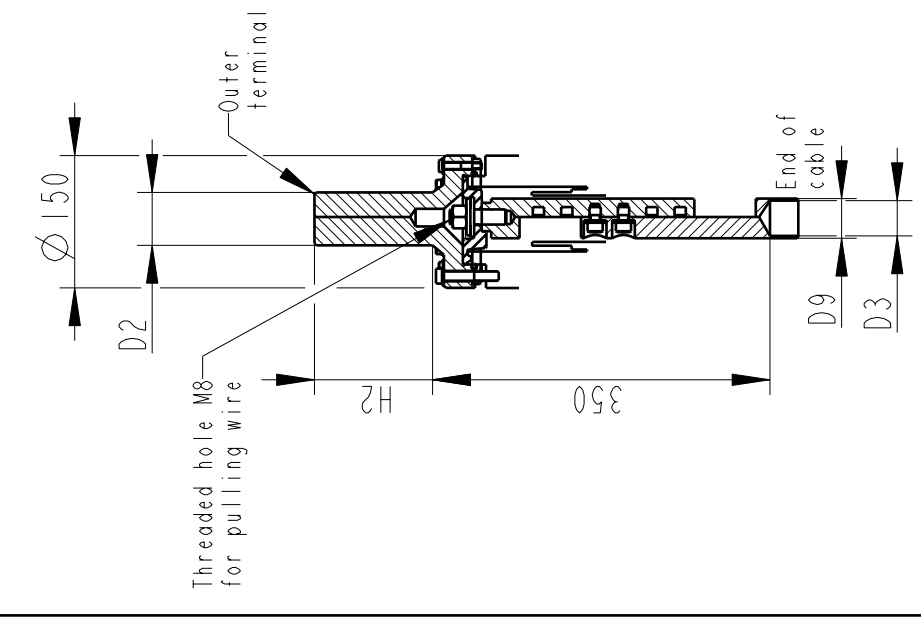
**INNER TERMINAL**

D3 (mm)	D9 (mm)	Cond. area (mm <sup>2</sup> )	Current (A) IEC	IEEE
LF170 056-A O*)	35	-	-	-
LF170 056-B	15	35	95	370
LF170 056-C	30	35	285	1000
*) WITH PILOT HOLE D=5				

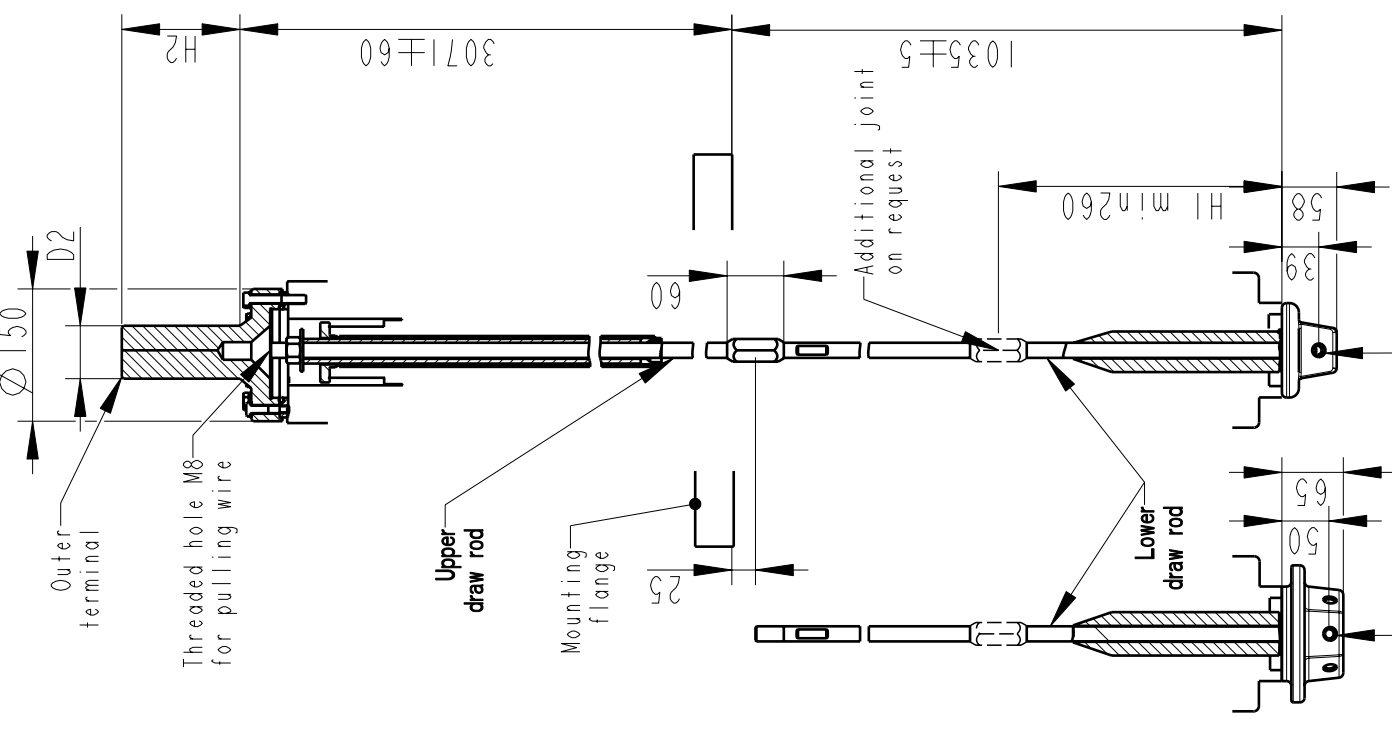
**ABB Components** Lutha, Sweden

No.	kV	tr	A	50-60	Hz
U	kV	SI	kV	AC	kV
M	kg	L	mm	D	
C1		pF	Tanδ		
C2		pF	Tanδ		

**INNER TERMINAL / OUTER TERMINAL**



**DRAW ROD SYSTEM / OUTER TERMINAL**



NI=Number of holes M12, equipped with thread insert with screw lock, depth 20, for cable lugs.

Based on	Reg. No.	Title
Prepared	Responsible department	GOE-1050-750-5000-0.3
Lövnord	COM/BK 0025	
Approved	Take over department	
Johansson	Database	
Design engineering review		
Gutman		
ABB ABB Components		Document No. 2751369-96
Language		82
Page		1(1)

We reserve all rights in this document and in the information contained therein. Reproduction, use or disclosure to third parties without express authority is strictly forbidden.